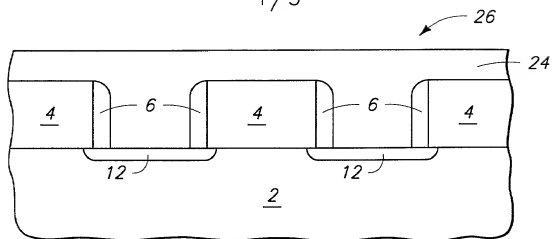
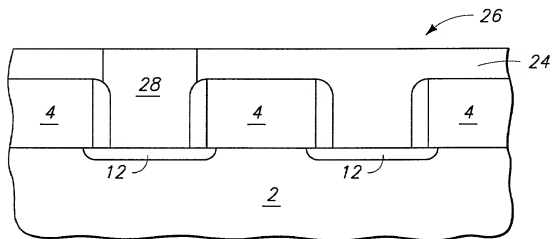


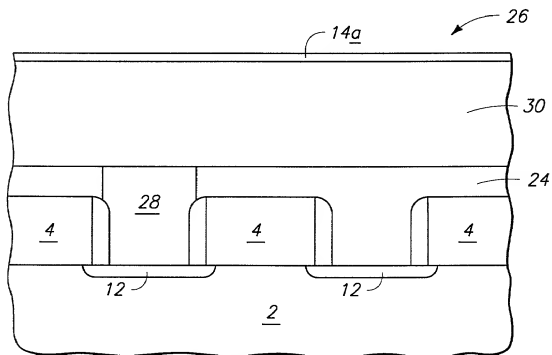
1/9



II II II II



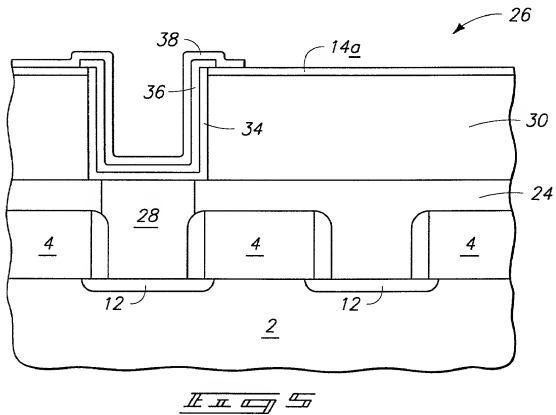
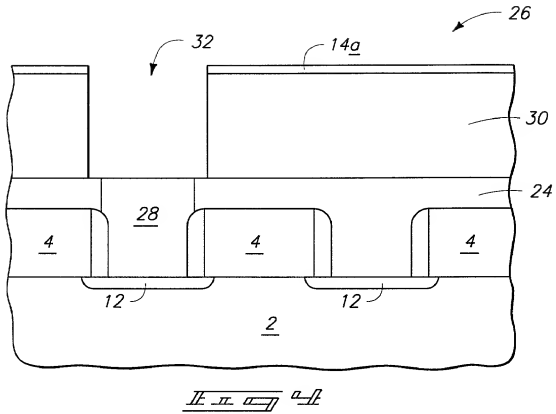
II II II II



II II II II

08979336-06101

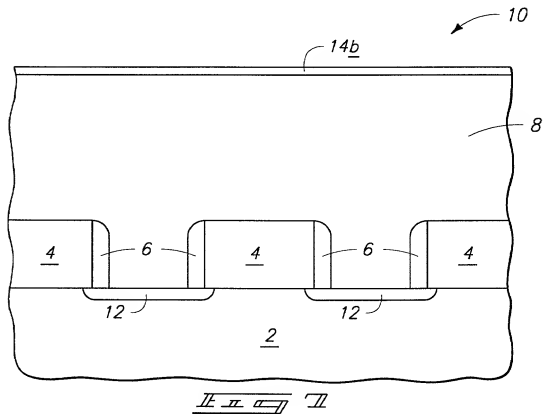
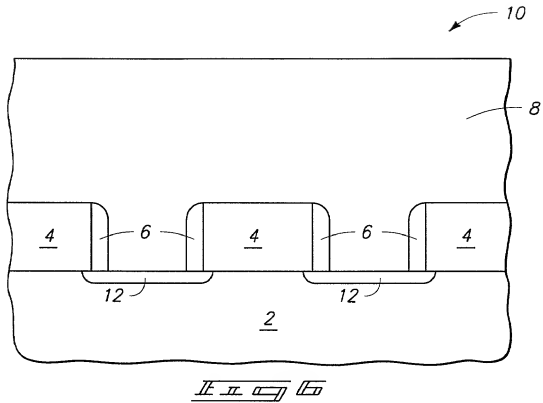
2/9



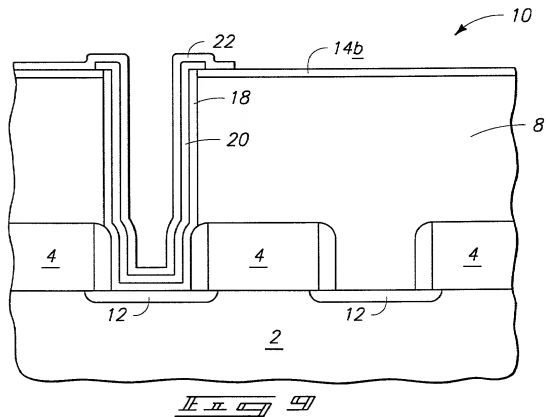
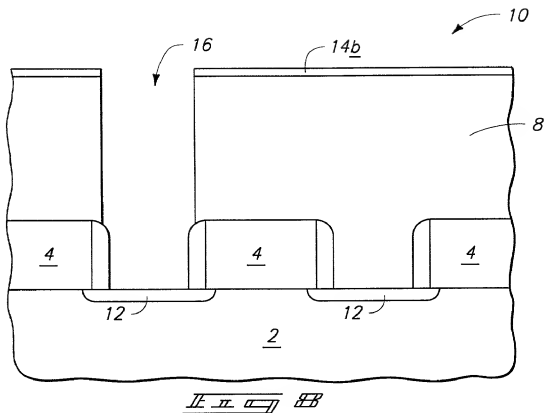
09879295 064104
TOP SECRET

3/9

09279323 061401
"TOP" 55662860



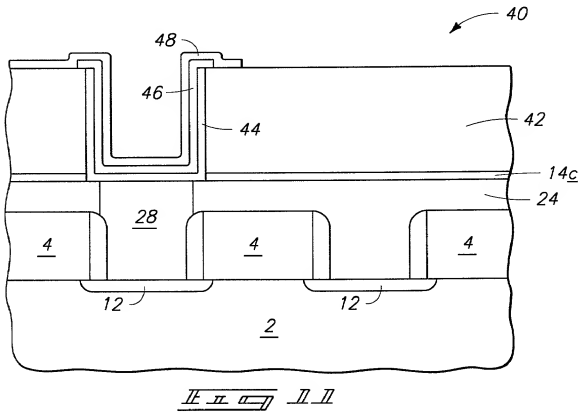
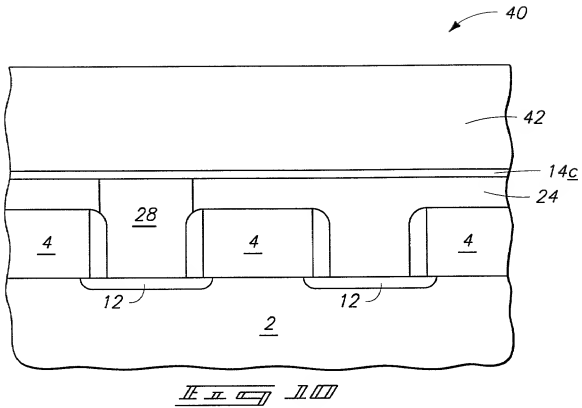
4/9



FORWARD SEE 2/669

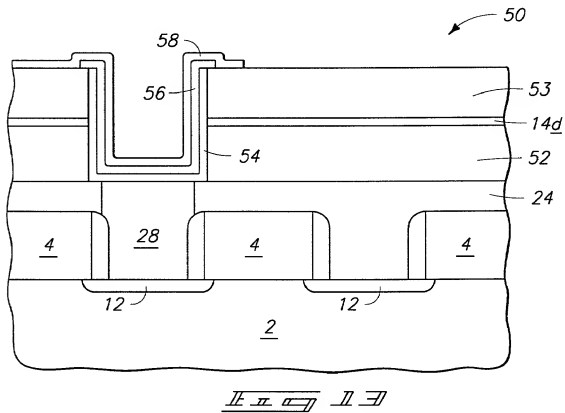
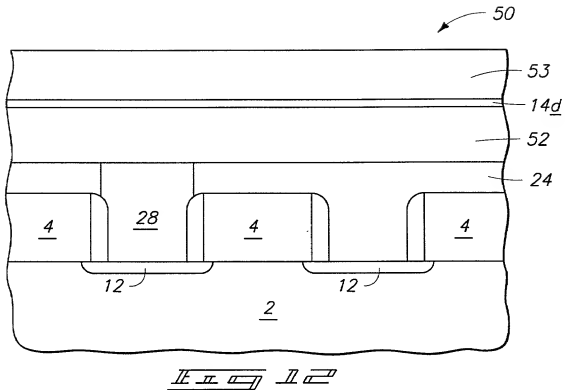
5/9

9927225 0110 52662860



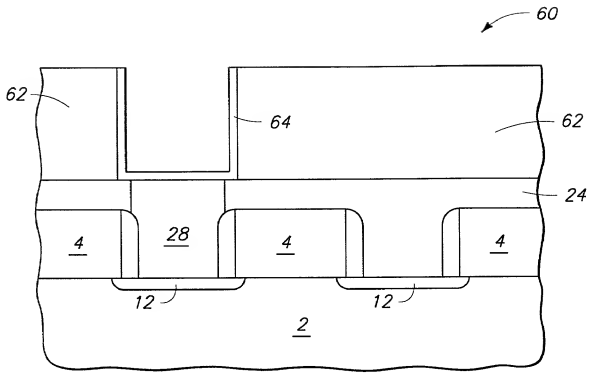
6/9

TOP VIEW - SEE FIG. 2

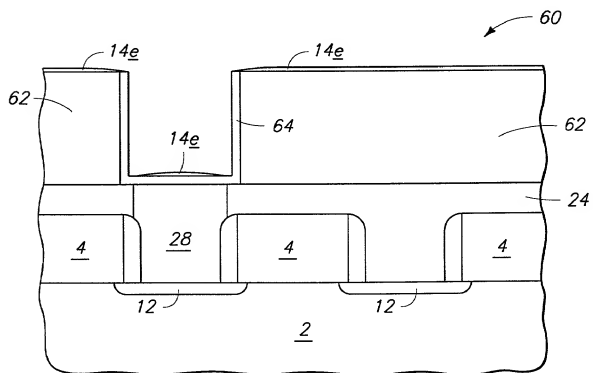


7/9

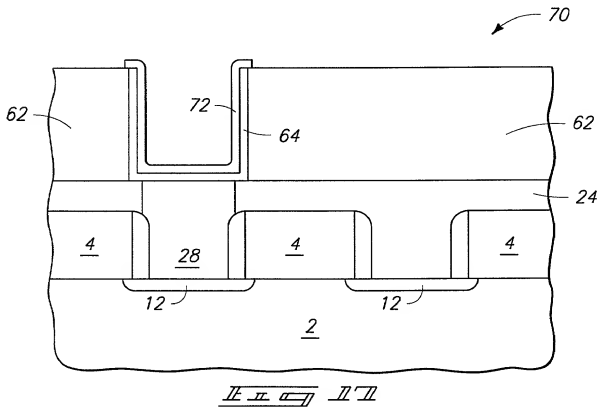
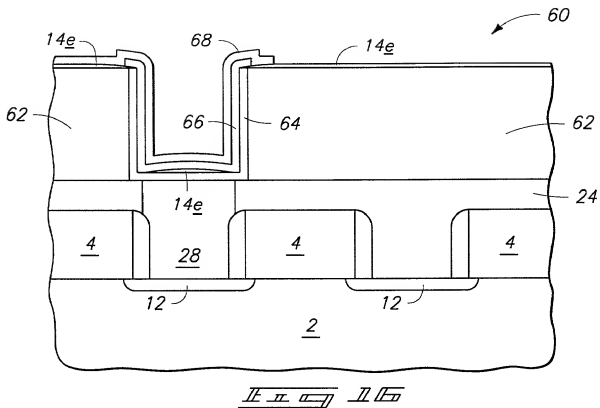
09872333 001100 55662860



II II II II II

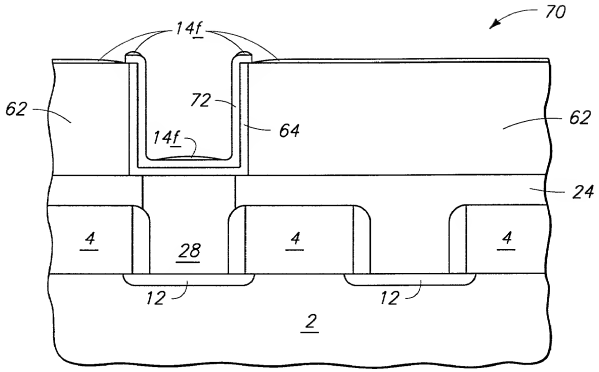


II II II II II

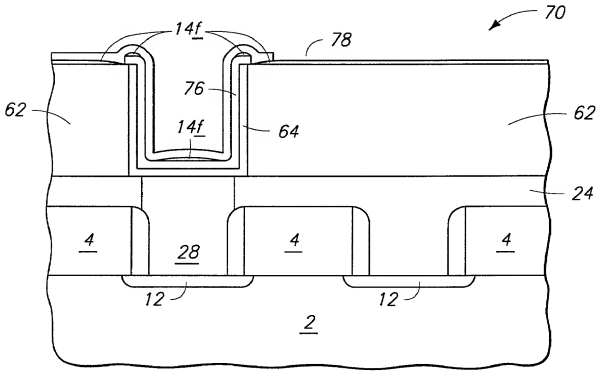


131990-5566/000

9/9



II 5 6 II 8 8



II 5 6 II 9 9

TOP SECRET